



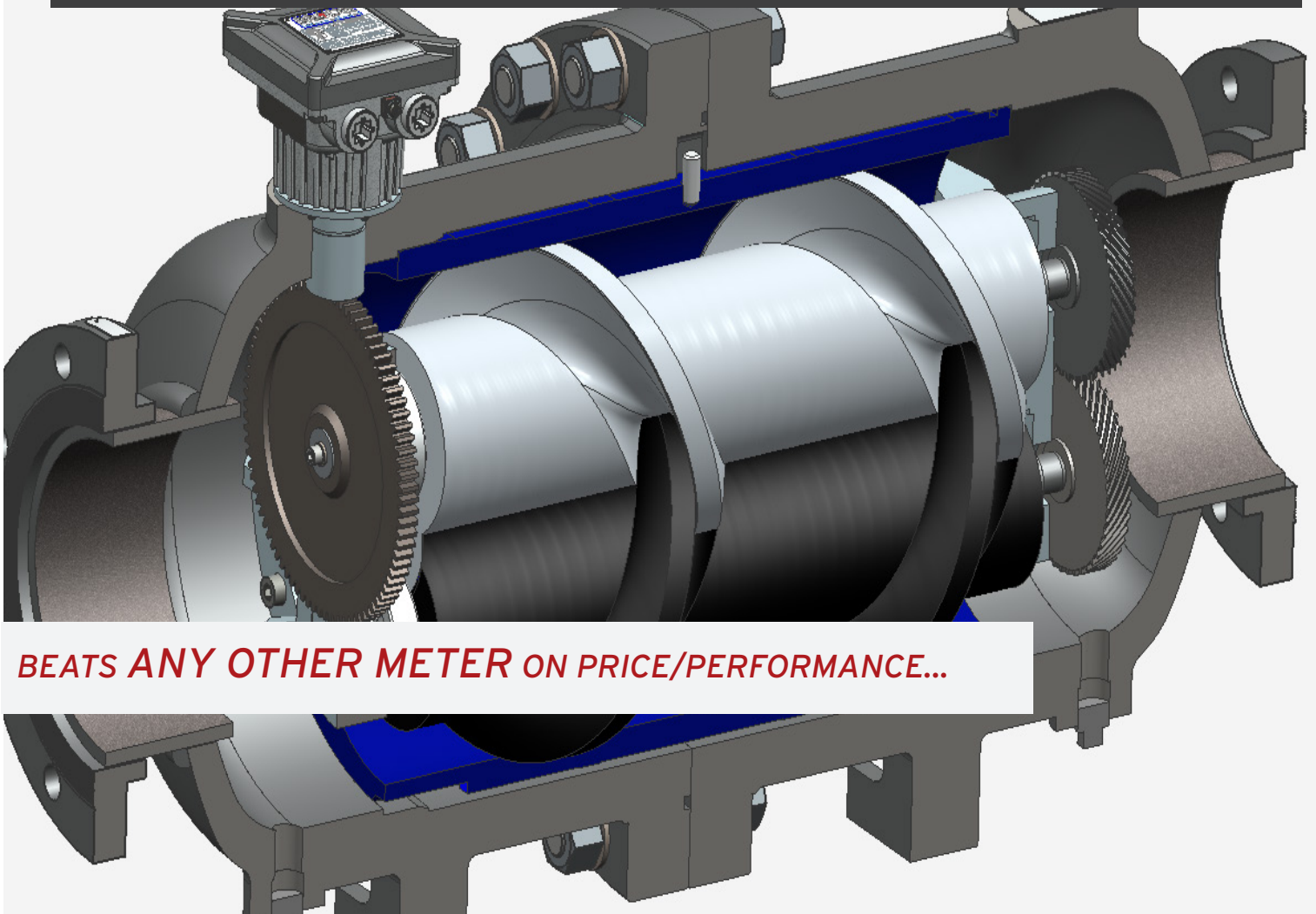
Breakthrough in Premium PD meters at higher flow rates:

# The 8 Inch BiRotor Plus Meter

Flow Rate: 230 - 2,300 GPM

Linearity: +/- 0.075%

Repeatability: 0.02%



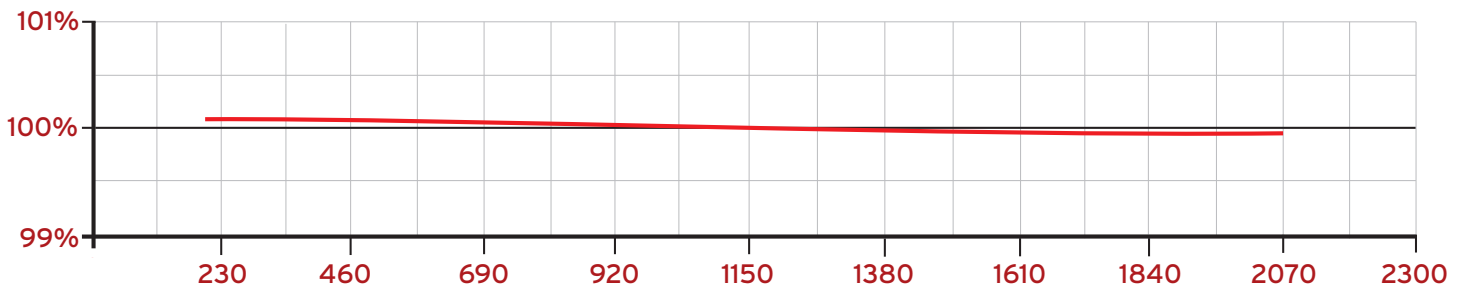
***BEATS ANY OTHER METER ON PRICE/PERFORMANCE...***

# ...A NEW ADDITION TO THE FAMILY: THE 8 INCH BIROTOR PLUS

## Technical Specifications

		2" [Single Case]	3" [Double Case]	4" [Double Case]	6" [Double Case]	8" [Double Case]
<b>Model Code</b>		SB25X	B27X	B28X	B29X	B30X
<b>Line Size and End Connections</b>		2" ANSI 150 DN 50	3" ANSI 150 DN 80	4" ANSI 150 DN 100	6" ANSI 150 DN 150	8" ANSI 150 DN 150
<b>Flow Range</b>	<b>standard</b>	30-150 GPM 114-568 LPM	43-425 GPM 163-1609 LPM	70-700 GPM 265-2650 LPM	100-1000 GPM 379-3785 LPM	230-2300 GPM 871-8706 LPM
	<b>extended</b>	7.9-150 GPM 30-568 LPM	30-550 GPM 114-2082 LPM	33-1000 GPM 125-3785 LPM		230-3300 GPM 871-12491 LPM
<b>Maximum Working Pressure</b>	<b>ANSI 150# ANSI 300# DIN PN16 DIN PN40</b>	275 PSI, 10 bar 720 PSI, 50 bar 196 PSI, 13.5 bar 490 PSI, 33.8 bar	285 PSI, 19.5 bar 740 PSI, 51 bar 232 PSI, 16 bar 580 PSI, 40 bar	285 PSI, 19.5 bar 740 PSI, 51 bar 232 PSI, 16 bar 580 PSI, 40 bar	285 PSI, 19.5 bar 740 PSI, 51 bar 232 PSI, 16 bar 580 PSI, 40 bar	285 PSI, 19.5 bar 740 PSI, 51 bar 232 PSI, 16 bar 580 PSI, 40 bar
<b>Weight</b>	<b>ANSI 150 ANSI 300</b>	75 lb, 34 kg 76 lb, 36 kg	193 lb, 88 kg 200 lb, 91 kg	293 lb, 133 lb 300 lb, 136 kg	350 lb, 159 kg	990 lb, 449 kg 1045 lb, 474 kg
<b>Linearity</b>	<b>standard</b>	+/- 0.15%	+/- 0.1 %	+/- 0.075%	+/- 0.075%	+/- 0.075%
	<b>extended</b>	+/- 0.30%	+/- 0.15%	+/- 0.15 %	+/- 0.15 %	+/- 0.15 %
<b>Repeatability</b>		0.02%	0.02%	0.02%	0.02%	0.02%
<b>Electrical</b>	<b>pulses per US gallons</b>	950	160	96	96	39.2
	<b>pulses per Liters</b>	250	42	25	25	148.4
<b>Materials</b>	<b>Meter Housing</b>	Stainless Steel	Carbon Steel	Carbon Steel	Carbon Steel	Carbon Steel
	<b>Flanges</b>	Stainless Steel	Carbon Steel	Carbon Steel	Carbon Steel	Carbon Steel
	<b>Sensor housing</b>	Stainless Steel	Stainless Steel	Stainless Steel	Stainless Steel	Stainless Steel

## Linearity 8 inch BiRotor Plus [GPM]



**BRODIE**  
INTERNATIONAL

Brodie International

P.O. Box 450 (30459-0450)  
19267 Highway 301 North  
Statesboro, GA 30461,  
USA

Email: sales@brodieintl.com  
Phone: +1 (912)489-0200  
Fax: +1 (912) 489-0294