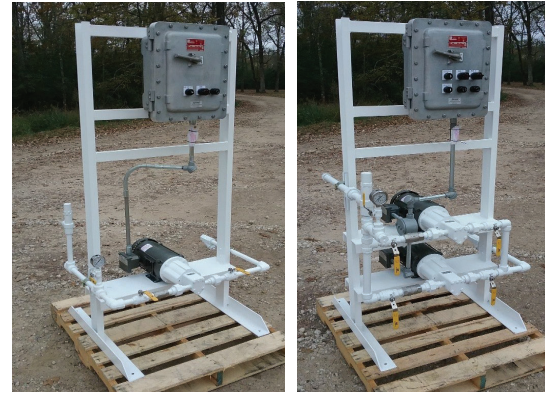


## Technical Data

### Brodie AddPak Pump Systems



#### General

The Brodie AddPak Pump Systems are designed to operate in numerous additive, dye, and marker applications. Offered in both single or dual configurations with Mag-Drive pumps as shown.

The Brodie AddPak Pump Systems are completely assembled to include system piping, fittings, and isolation valves with an inlet strainer and adjustable relief valve.

#### System Features & Design

Free-Standing Rack fabricated, sandblasted, and painted with Epoxy Base, Primer, and Topcoat

Single or Dual Systems equipped with Mechanical Coupled or Mag-Drive Viking Pumps

Pumps Flow Rates available from 1 - 16 GPM

System Fitting Package includes all necessary fittings and components

Explosion Proof Starter Breaker pre-wired and plumbed to Skid

#### Pump Sizes

Skids available in a variety of pump sizes and flow rates. Larger pumps available upon request.

Viking Pump Model #	Motor Size	Pump Size	Skid Size	Gallons Per Minute
525	1 HP	1/2"	3/4"	1
550	1 HP	1/2"	3/4"	2
510	1 HP	1/2"	3/4"	4
519	2 HP	3/4"	1"	7.6
528	2 HP	3/4"	1"	11.2
716	3 HP	3/4"	1"	16
		1425 RPM @ 50HZ	1800 RPM @ 60HZ	



---

## Principle of Operation

Field wiring should be provided to activate the pump control when any additive permissive is on.

Dual pump operation is equipped with two starters and two HOA switches.

This operation requires manual switching to sequence from each pump.

Optionally, we can supply an alternating relay mounted in an explosion proof enclosure to alternate pumps automatically.

---

## Mechanical

Pump Skids are prepiped

Ready to be installed

Required field connections are the inlet, outlet, and relief valve piping

---

## Electrical

Pump Skids are assembled with explosion proof starters

Field Connections are primary power for breaker and 120 VAC

Hand/Auto control from customer TAS

---

---

## Materials of Construction

### Motors:

- Explosion proof for Class 1, Division 1, Group D Locations; other ratings are also available
- Single phase and three phase HP dual voltage, 50 or 60 Hz.

### Pressure Gauge:

Liquid filled 0 - 300 psi range stainless steel basket, installed in inlet piping.

### Relief Valve:

- External hydraulic system design
- Factory set to begin opening at 115 psi, and fully open at 125 psi
- Pressure setting is field adjustable
- Carbon steel body with stainless steel piston with cross slot and metal to metal seat

### Optional Rack:

- Galvanized, fabricated steel
- Pump assembly is mounted on the rack base
- Rack has space for the motor controller and a limited number of injectors

### Valves:

Carbon steel plated ball valves. Consult factory for other materials. Valves are configured to isolate pump.

### O-Rings:

Viton Standard  
(Other Elastomers Available)

### Other Internal Parts:

Stainless Steel

### Tubings and Pippings:

- Stainless steel tubing and carbon steel tube fittings or carbon steel pipe with carbon steel threaded fittings
- Schedule 80 steel piping
- Optional socket welded systems are available

### Strainer:

- Y-pattern ductile iron with a 20 mesh stainless steel basket
- Installed in inlet piping.

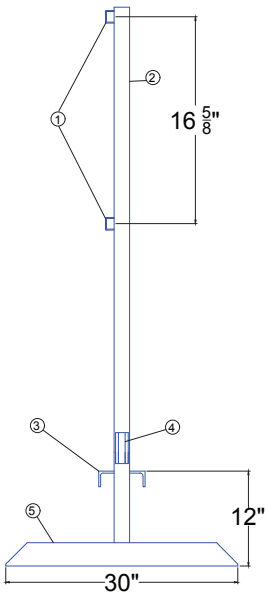
### Mounting:

Galvanized, steel channel base

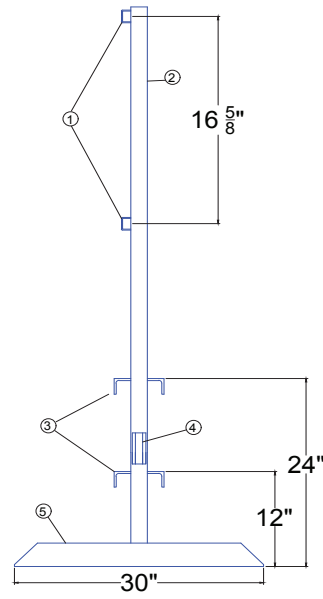
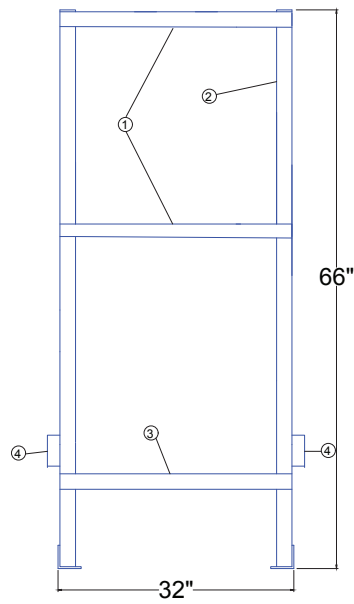
### Style

Positive displacement pumps are recommended for additive injection applications to provide sufficient pressure under varying hydraulic conditions. Magnetic drive pump assemblies with no dynamic seals are strongly recommended.

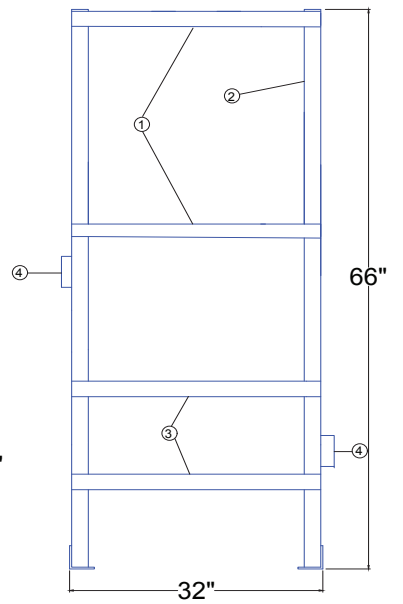
## Dimensions



Single Pump configuration



Dual Pump configuration



### Brodie International

P.O. Box 450 (30459-0450)  
 19267 Highway 301 North  
 Statesboro, GA 30461  
 USA

Phone: +1 (912) 489-0200  
 Fax: +1 (912) 489-0294