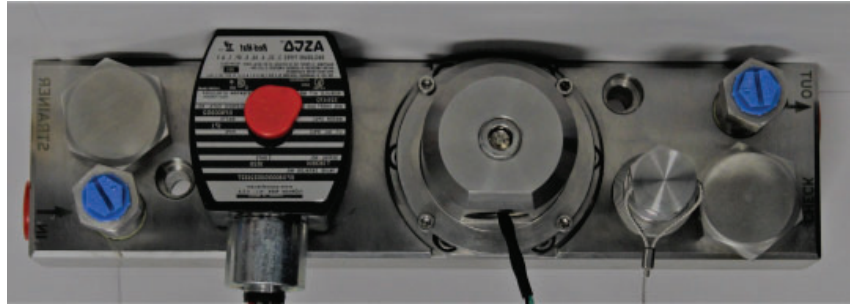


Technical Data

Brodie AddPak Additive Injection Block



General

Brodie's AddPak Chemical Injector offers a wide variety of service options. Due to its complete stainless steel construction and elastomer selection, it is suitable for use in numerous chemical and industrial applications. The Injector is machined from a solid piece of stainless steel bar stock which minimizes external leak points, and also incorporates an inlet machined basket strainer and an outlet check valve.

Installation

The Injector's slim footprint allows for easy installation with minimal space requirements. The AddPak Chemical Injector easily incorporates into numerous applications from PLC to TAS Systems used as a slave injector.

Oval Gear Meter

The Injector's oval gear meter design allows for wide chemical use in additives and marker applications. Due to product design, the oval gears are able to achieve a highly accurate measurement in single c/c units.

Mechanical

- Available in 1-6 Pack Configuration
- 304 Stainless Steel Machined Block
- Inlet & Outlet Isolation Valves
- Calibration Port Valved with Dust Cap
- Elastomers Wetted: Teflon or Teflon Encapsulated Material
- Optional Elastomer Material: Kalrez or Chemrez Seals per Request
- Flow Range .05 - 3 GPM
- Oval Gear Meter K Factor ~4600 PPG
- Process Connections 3/8" FNPT
- Max WP 400 PSI

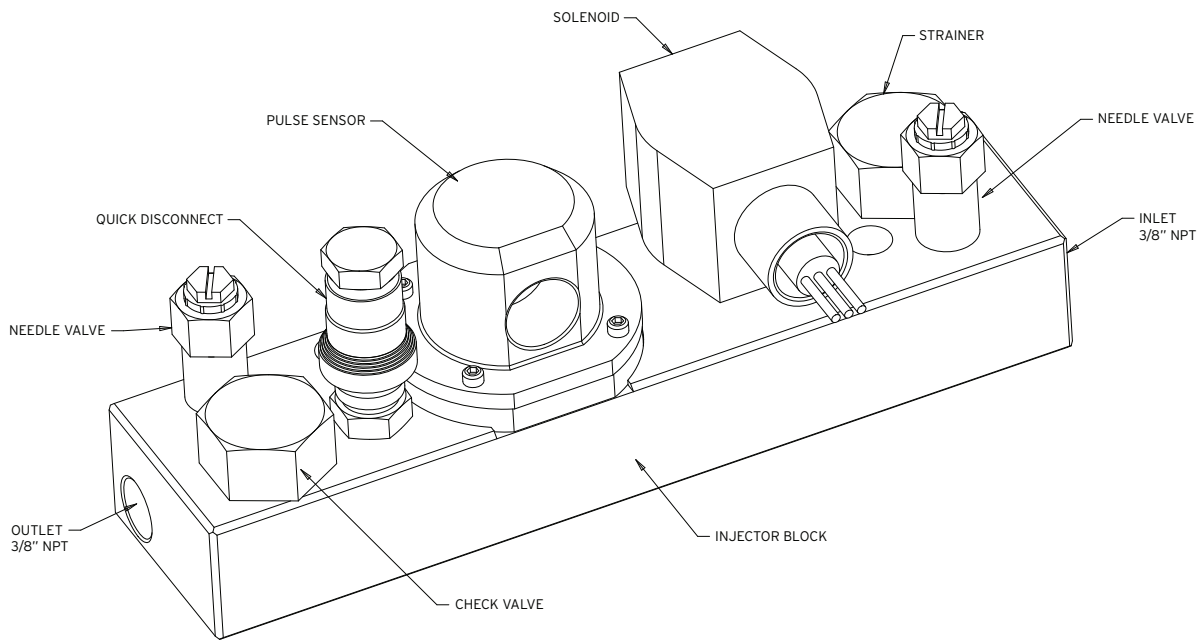
Electrical

- ASCO Explosion Proof Solenoid
- 120VAC 60HZ Standard, Other Voltage Available per Request
- Oval Gear Meter Sensor 5 - 30 VDC, Supply Hall-Effect or Reed Switch
- Open Collector High Speed
- Suitable for Hazardous Area
- FM Approvals for use in Class I, DIV I Areas
- All Electrical Conduit Connections 1/2" FNPT
- Optional ATEX/CE/IECEX Approval

Model Code

CODE BAB	Brodie AddPak Additive Injection Block	
Code 9	Revision	
	A	
CODE M	Mounting	
	0	Unmounted, Standard
	1	BAB Mounted on Panel
	2	BAB Mounted on Panel
	3	BAB Mounted on Panel
	4	BAB Mounted on Panel
	5	BAB Mounted on Panel
	6	BAB Mounted on Panel
CODE T	Thermal Relief	
	0	None, Standard A
	1	Thermal Relief (per block) 151070M (QTY 10)
	Z	Thermal Relief (for multiple blocks) 154704-024M
CODE G	Gear Material	
	9	PPS (Ryton) 5000 PPG, Standard A
		SS. STL. ~4600 PPG (price added per block) 151070M (QTY 10)
	3	SS. STL. ~4600 PPG (for multiple blocks) 154704-024M
CODE V	Solenoid Voltage	
	1	120/60 VAC, 110/50 VAC
	2	240/60 VAC, 220/50 VAC
CODE A	Approvals	
	1	FM
	2	ATEX/CE/IECEX
CODE	Injection Point Kits	
	AB1200	Standard Injection Kit
	AB1300	Red Dye Injection Kit
	AB1500	Calibration Test Kit

Technical Configuration



For Optional Accessories Listed Below, Please Contact Factory:

Standard & Dye Injection Point Kits
Calibration Kits
Injector Thermal Relief Kits
Special Elasmers
Special Approvals

Brodie International

P.O. Box 450 (30459-0450)
19267 Highway 301 North
Statesboro, GA 30461
USA

Phone: +1 (912) 489-0200
Fax: +1 (912) 489-0294