

Parts List

BiRotor Models B131-135



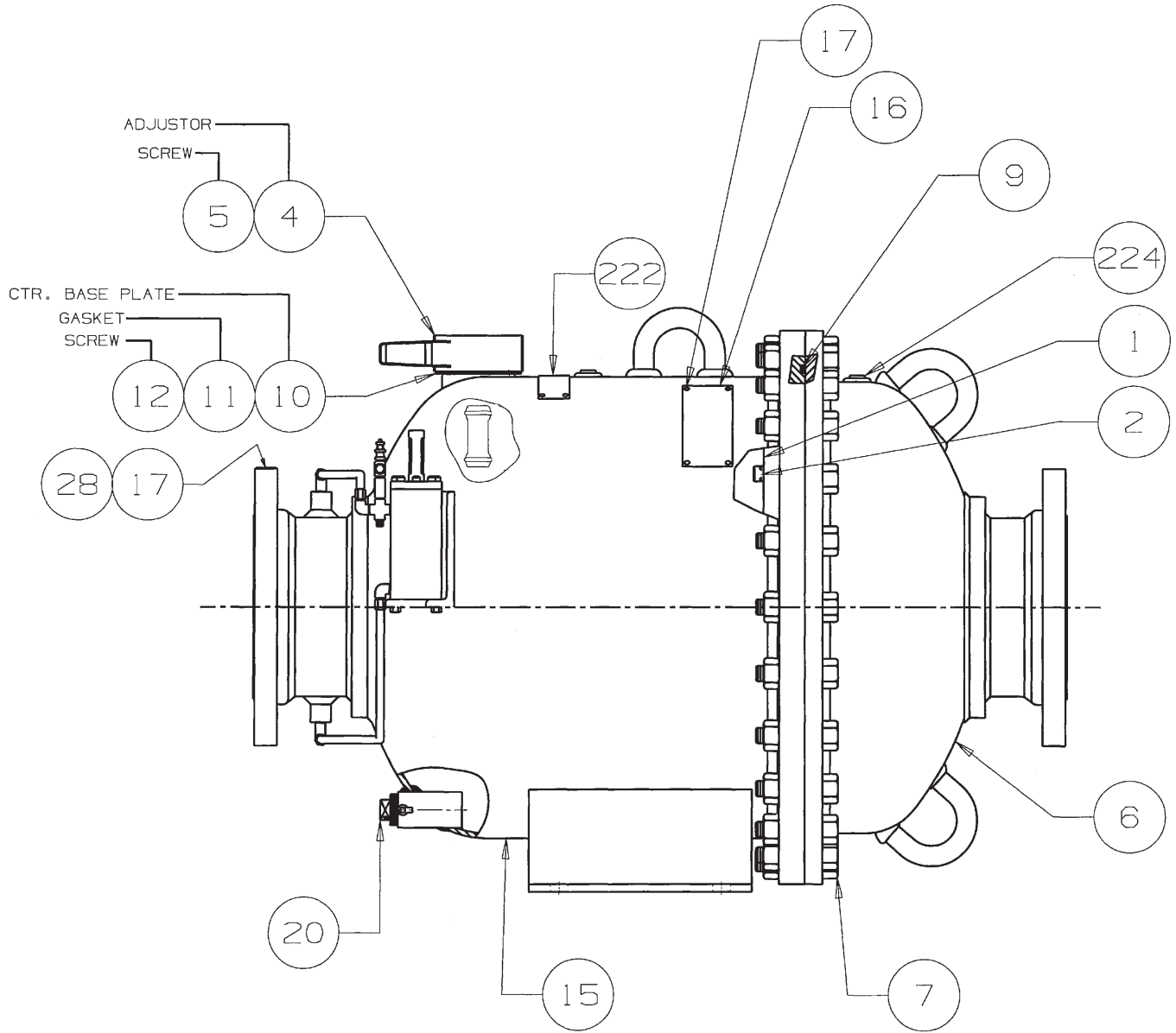


Figure 1: Complete Meter Assembly

Table 1 - Complete Meter Parts List

Item	Part Number	Description	Qty Rqd
1	133405-330	Measuring Unit Assembly	1
2	151103M	Screw Hex Socket Head CS 1-1/4-12 x 5	16
4	4200	Adjustor Assembly - Model 4200, 1 : 1	1
5	150565	SCREW - Fillister Head Slotted, 1/4-20 x 1 3/8", 18-8 Stainless Steel	4
6	134750-430M	Cover Assembly, Housing B234A Mechanical 16.0" 300# (740 PSI MWP) W/ MTR'S	1
7	1501021M	STUD & NUT SET CS 1-1/2-8 x 12	48
9	157324-022	O-Ring - Viton-A	1
10	94150-010M	Counter Base Plate Assembly B13XA 1:1 Teflon/Viton-A W/ MTR'S	1
11	53156	Gasket - Counter Base Plate	1
12	151017M	Screw Hex Socket Head, 3/8-16 x 1.0", ASTM A-574 Carbon Steel w/ Mill Test Reports	12
15	134740-430M	Housing Asseby - Mechanical BiRotor Meter w/ Thermowell Coupling, B134A Standard 16.0" 300# (740 MAWP) w/ Mill Test Reports	1
16	92802	Nameplate - BiRotor Meter, Model/Serial Number, No Approvals	1
17	153974	Screw - Drive Type U, #2 (.098) x 1/8 x .086, 18-8 Stainless Steel Passivate	6
20	157833M	Plug - Pipe, Square Head, 1-1/2" NPT, Carbon Steel A-105, w/ Mill Test Reports	1
23	154711M	Plug - Pipe, 3/4-14 NPT, Carbon Steel A-105, w/ Mill Test Reports	3
28	015-16-090-02	Label - Inlet, Metal	1
222	2200-087	Warning Plate	1

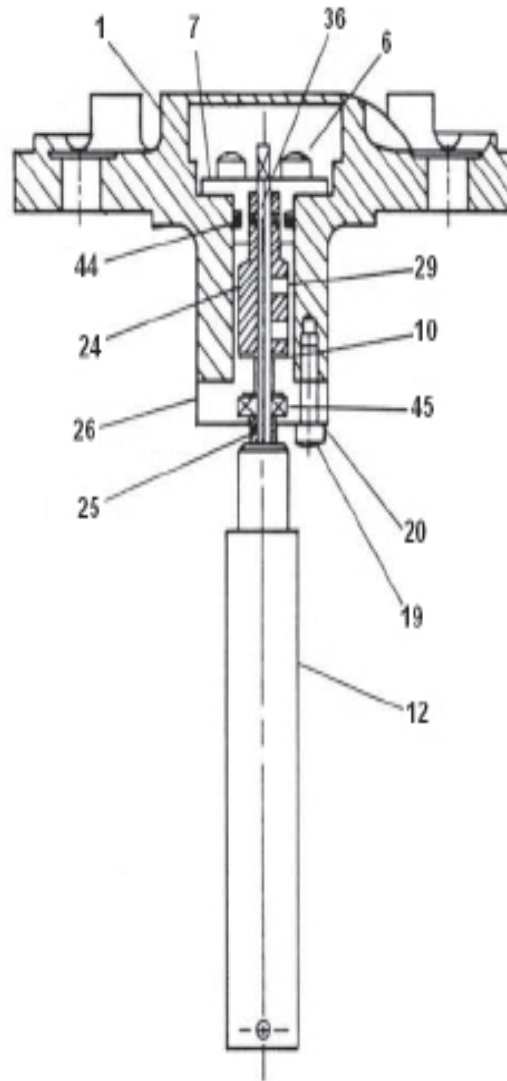
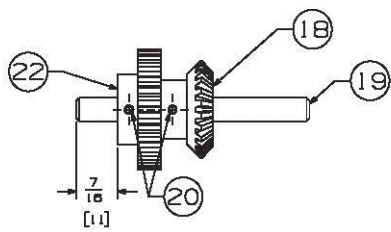
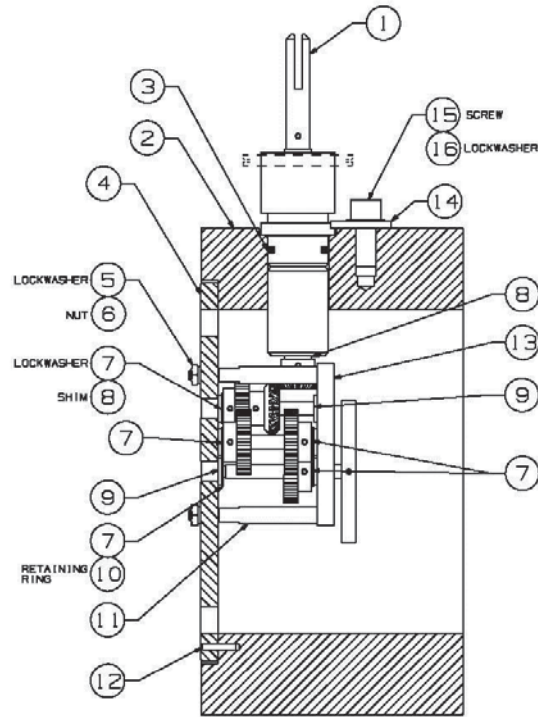


Figure 2: Counter Base Plate Assembly

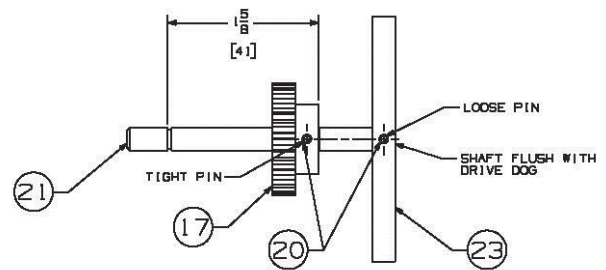
Table 2 - Counter Base Plate Parts list

Item	Part Number	Description	Quantity
1	53151M	Plate Assembly	1
6	151029-419M	Screw	4
10	151891	Washer	1
12	92160-010	Coupling Tube Assembly (Consists of Items:13 thru 18)	1
13	92156-010	Coupling Tube Assembly	1
14	153545	Spirol Pin	1
15	151704	Allen Nut	1
16	53164M	Packing Shaft	1
17	152257	Internal Lockwasher	1
18	92157	Upper Coupling Jaw	1
19	150537	Screw	3
20	152259	Lockwasher	3
24	93152	Packing Shaft Positioner	1
25	74166	Spacer	1
26	94177	Bearing Housing	1
29	150969	Set Screw	2
36*	152064-XXX	O-Ring	1
7	43175	Packing Gland Assembly (Consists of Items: 42 & 43)	1
42	155170-001	Cast Iron Journal Bearing	1
43	43176M	Packing Gland	1
44*	152070-XXX	O-Ring	1
45*	155195	Ball Bearing	1

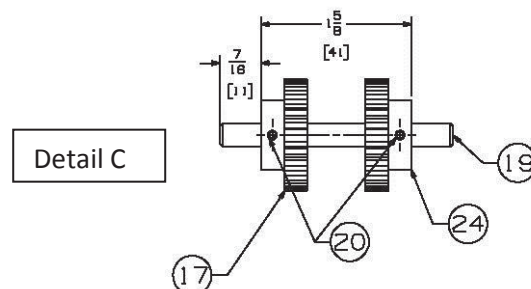
* Recommended Spare



Detail A



Detail B

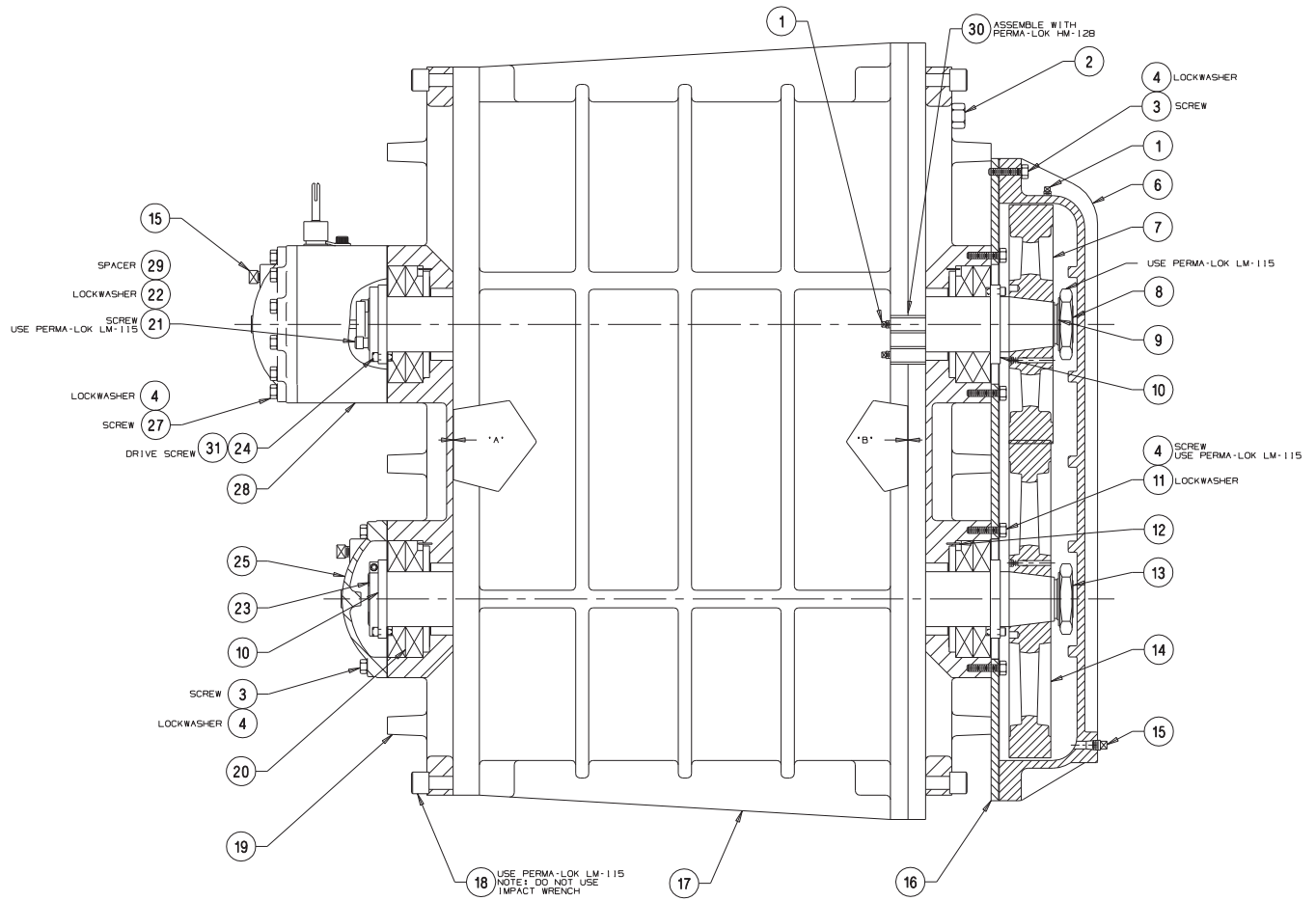


Detail C

Figure 3: Gear Box Assembly

Table 3 - Gear Box Parts List

Item	Part Number	Description	Quantity
1	133515	Shaft Assembly - Output, 16.0" Mechanical, B131A/B133A/B134A/B135A/HCB121A	1
2	133522-001	Gear Housing	1
4	133523-001	Mounting, 16.0" Mechanical, B131A/B133A/B134A/B135A	1
5	152105-019	Washer - Lock, #10 x .312 x .046, Series 300 Stainless Steel	4
6	151532-019	Nut - Hex, 10-24, Series 300 Stainless Steel	4
7	151901	Washer - Flat, #12, .252/.254 x .553/.558 x .023/.027, T-302 Stainless Steel	5
8	152541	Shim - Stainless Steel, .005 x 1/4 x 1/2	1
9	155150	Bearing - .376 x 3/8, Rulon	6
10	153943	Clip - Spring, Stainless Steel	1
11	133307-001	Pillar	4
12	153524	Pin - Roll, 1/8 x 5/8 x .125/.129, Carbon Steel Plain Finish	2
13	133319-001	Plate - Bearing	1
14	133524	Clip - Retaining	1
15	151043-019	Screw Hex Socket Head CS 3/8-16 x 7/8	1
16	152268	Washer - Lock, Internal Tooth, 3/8 x .687 x .035, Carbon Steel Zinc Plated	1
17	133526-001	Drive Gear 16T	2
18	72731-003	Gear - Driving Miter, 24 tooth, Machined, Steel	1
19	133527-001	Driven Shaft	2
20	153511	Pin - Roll, 3/32 x 5/8 x .094/.097, Stainless Steel	6
21	133542-001	Shaft- Drive, 16.0" Mechanical BiRotor, B131A/B133A/B134A/B135A B231A/B233A/B234A/B235A	1
22	133541-002	Drive Gear 42T	1
23	133543	Drive Dog	1
24	133541-002	Drive Gear 42T	1



NOTES!!!

1. USE ADJUSTMENT NUTS, ITEM 10, TO ADJUST ROTOR END CLEARANCE AT EACH END OF ROTORS. DIMENSION "A" : 40% OF TOTAL END CLEARANCE. DIMENSION "B" : 60% OF TOTAL END CLEARANCE. CAUTION : DO NOT BIND BEARINGS!!!
2. SCREW, ITEM 24, MUST ENGAGE SLOT IN INNER RACE OF BALL BEARING. PIN, ITEM 12, MUST ENGAGE SLOT IN OUTER RACE.

3. LOCK ADJUSTMENT NUTS IN PLACE WITH COLLAR, ITEM 23, AND TIMING GEARS, ITEM 7 AND 14.
4. EQUALIZE SPACINGS BETWEEN 3T AND 4T ROTOR TEETH USING TIMING GEARS ITEMS 7 AND 14.

Figure 4: Measuring Unit Assembly

Table 4 - Measuring Unit Parts List

Item	Part Number	Description	Quantity
1	154708-019	PLUG	3
2	150847M	SCREW - Hex Head	32
3	150815	SCREW - Hex Head Cap	44
4	152110	WASHER - Lock Spring	80
6	233601	COVER - Rear Gear	1
7	233291	GEAR - Drive, (For 3 Tooth Rotor)	1
8	133276-300	ROTOR - 3 Tooth	1
9	132293	LOCKWASHER	2
11	150766M	SCREW - Hex Head Cap	24
12	153530	PIN ROLL	8
13	133286-300	ROTOR - 4 Tooth	1
14	233296	GEAR - Drive (For 4 Tooth Rotor)	1
15	132235	VENTILATOR	3
16	133311-600	PLATE - Cover	1
17	133506	BODY - Measuring Unit	1
18	132267	SCREW - Dowel	4
19	133516-001	END PLATE MACH	2
20	159796	BEARING BALL	4
21	133547	DRIVE SCREW	2
22	152109	WASHER CS LOCK SPRING	2
23	133291	COLLAR	2
24	133296	DRIVE SCREW	2
25	132233	CAP - Front Bearing	2
27	150820	SCREW HEX HEAD	12
28	133520-001	GEAR BOX ASSEMBLY	1
29	133548	SPACER	2
30	133407	INSERT	2
31	133296-100	DRIVE SCREW	2

Brodie International

P.O. Box 450 (30459-0450)
19267 Highway 301 North
Statesboro, GA 30461
USA

Phone: +1 (912) 489-0200
Fax: +1 (912) 489-0294