

INSTALLATION & OPERATING INSTRUCTIONS **Rigid Counter Extension**

Length Modification of Brodie Series 5600 and 5620 Rigid Counter Extension

1. Remove lower drive shaft coupling (item 13).
2. Remove extension foot assembly (item 14) from extension pipe (item 15). This is a standard 1-1/2" threaded pipe.
3. Remove the pipe extension from the vertical extension head (item 1).
4. Remove the drive tube (item 8) from the vertical extension head by removing the two screws (item 3) holding the drive tube bearing (item 6).
5. Remove the two groove pins holding the lower drive shaft (item 11).
6. Cut drive tube 3" shorter than overall length desired for complete extension.
7. Cut extension pipe 5-1/8" shorter than overall length desired for complete extension.
8. Thread cut end of extension with 1-1/2" standard taper pipe thread.
9. Drill drive tube for groove pins as shown on drawing.
10. For reassembly, reverse steps 1 thru 5.

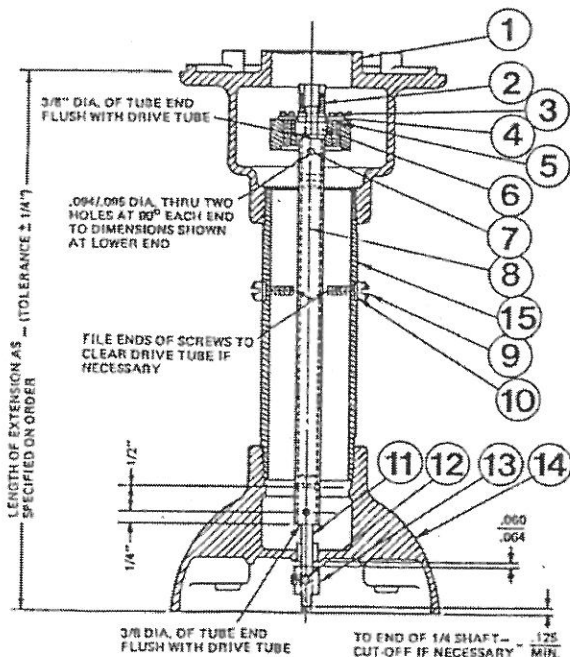
3	Screw	2	150525	150525
4	Lockwasher	2	152104	152104
5	Packing Gland	1	53179	53179
6	Ball Bearings	1	155192	155192
7	Groove Pin	4	153515	153515
8	Drive Tube	1	5607	5627
9	Screw (Extensions 6 ft. or over only)	4	150466	150466
10	Lockwasher (Extensions 6 ft. or over only)	8	152266	152266
11	Lower Drive Shaft	1	5609	5609
12	Socket Head Set Screw	2	151002	151002
13	Lower Drive Shaft Coupling	1	5618	5618
14	Vertical Extension Foot Assy.	1	5605	5625
15	Vertical Extension Pipe	1	5608	5608

NOTES:

1. If ordering parts for discontinued models not using the ball bearing so state on order.
2. For 12" and shorter extensions use No. 5635 [] drive shaft assembly instead of sym. 2, 7, 8 and 11 when ordering part no. 5635 [] state length of extension.
3. Pack ball bearings with aero-lubricate and install with shield side up.
4. The four screws and lockwashers are used on extensions over 8 feet only. If necessary file ends of screws to clear drive tube.

SERIES 5600 EXTENSION (shown)

Item	Description	Req.	5600	5620
1	Vertical Extension Head	1	5612	5632
2	Upper Drive Shaft Assy.	1	5615	5615

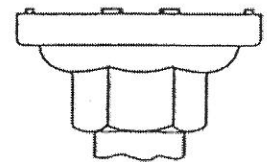
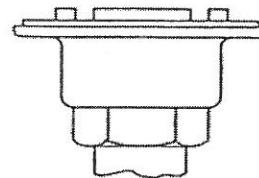


Series 5600 Vertical Extension Head

Series 5620 Vertical Extension Head

LPC-2M-9/84

Printed in U.S.A.



Specifications Subject to Change Without Notice.



Brodie Meter Co., LLC

P.O. Box 450
 19267 Highway North (30461)
 Statesboro, GA 30459-0450
 Phone: (912) 489-0200
 Fax: (912) 489-0295
www.brodiemeter.com