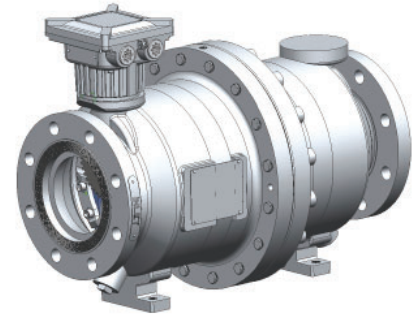


Technical Data

BiRotor Plus Positive Displacement Meter



B through D Series Meters

General

The BiRotor Plus is an extremely accurate dual cased flow measuring device. It produces via the use of non wetted pickoffs a high resolution signal which is directly proportional to the rate of liquid flow through the meter. These signals are shaped by a simple internal pre-amplifier for transmission to ancillary equipment.

The BiRotor Plus Meter utilizes the exclusive BiRotor principle. There are no sliding, oscillating, or reciprocating parts.

Accuracy

The BiRotor Plus meter is the most accurate PD meter in the market. Outperforming any other meter in the industry, this meter is capable of a linearity of +/- 0.075% with a repeatability of 0.02%.

Linearity

B27X Standard Rotors
+/- 0.1% Over Standard Flow Range
+/- 0.15% Over Extended Flow Range

B28X and B29X Standard Rotors
+/- 0.075% Over Standard Flow Range
+/- 0.15% Over Extended Flow Range

B3XX Standard Rotors
+/- 0.15% Over Standard Flow Range

Dependability

There is no metal to metal contact between the rotors and the measurement chamber. The meter is therefore extremely durable. The rotors, bearings and timing gears are the only moving parts. Maintenance requirements are the lowest in the industry.

Affordability

No premium for superior performance. Brodie offers the BiRotor Plus at a very competitive price.

Flexibility

The BiRotor plus meter can be installed either vertically or horizontally. It offers direct pulse output. And it is field proven in thousands of installations.

Repeatability

(All Sizes):
0.02% std. Rotors
0.04% X-Clearance
[Premium accuracy is also available]

Viscosity Range

Standard: 0.2 - 1000 cSt

Operating Temperature

STD: -20°F to 167°F (-29°C to 75°C)
Low: -40°F to 167°F (-40°C to 75°C)
High: 14°F to 230°F (-10°C to 110°C)

Flow Ranges

Model	Series		GPM		BPH		l/min		m3/h		Nominal K-Factor +/-10%
			min	max	min	max	min	max	min	max	
B27X	B3	standard	43	425	61	607	163	1609	10	97	160 PUL/GAL 42 PUL/L
		extended	30	500	43	714	114	1893	7	114	
B28X	C4	standard	70	700	100	1000	265	2650	16	159	96 PUL/GAL 25 PUL/L
		extended	44	900	63	1286	167	3407	10	204	
B29X	C6	standard	100	1000	143	1429	379	3785	23	227	96 PUL/GAL 25 PUL/L
B30X	D6	standard	175	1748	250	2497	662	6617	39	397	40 PUL/GAL 11 PUL/L
B31X	D8	standard	281	2818	402	4025	1066	10667	64	640	40 PUL/GAL 11 PUL/L
B32X	D10	standard	281	2818	402	4025	1066	10667	64	640	40 PUL/GAL 11 PUL/L

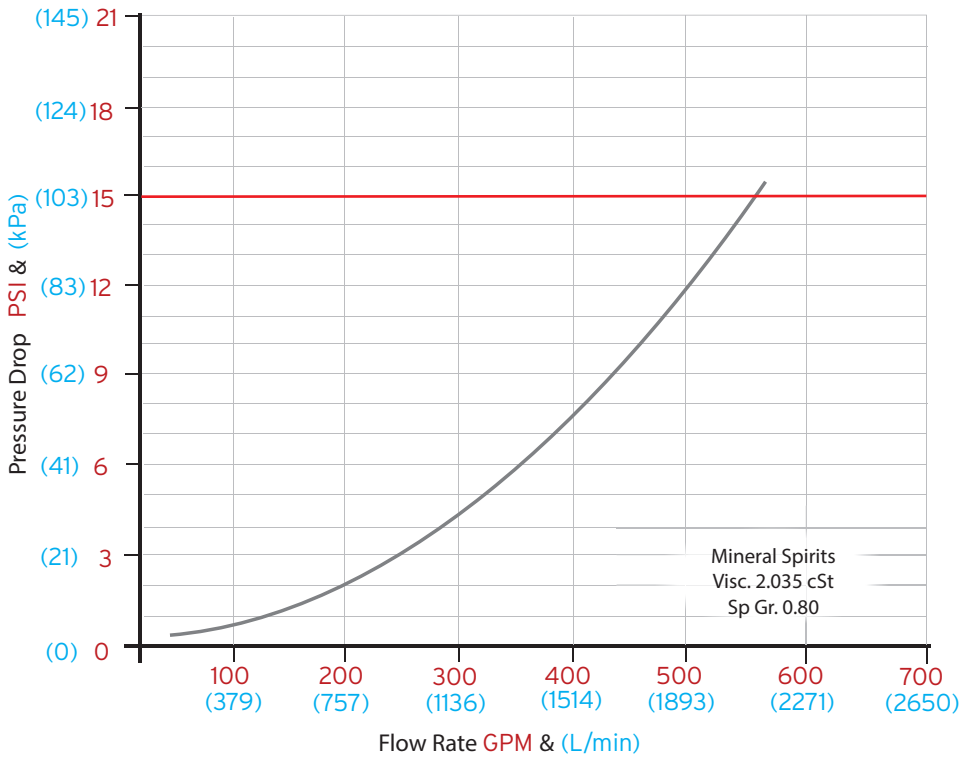
Consult factory for applications outside above the flange ranges.

Max Working Pressure [at 100 F, 38 C]

Flange Ratings	PSI	bar
ANSI 150#	285	19.5
ANSI 300#	740	51
ANSI 600#	1480	102
DIN PN 16	232	16
DIN PN 40	580	40

Pressure Drop

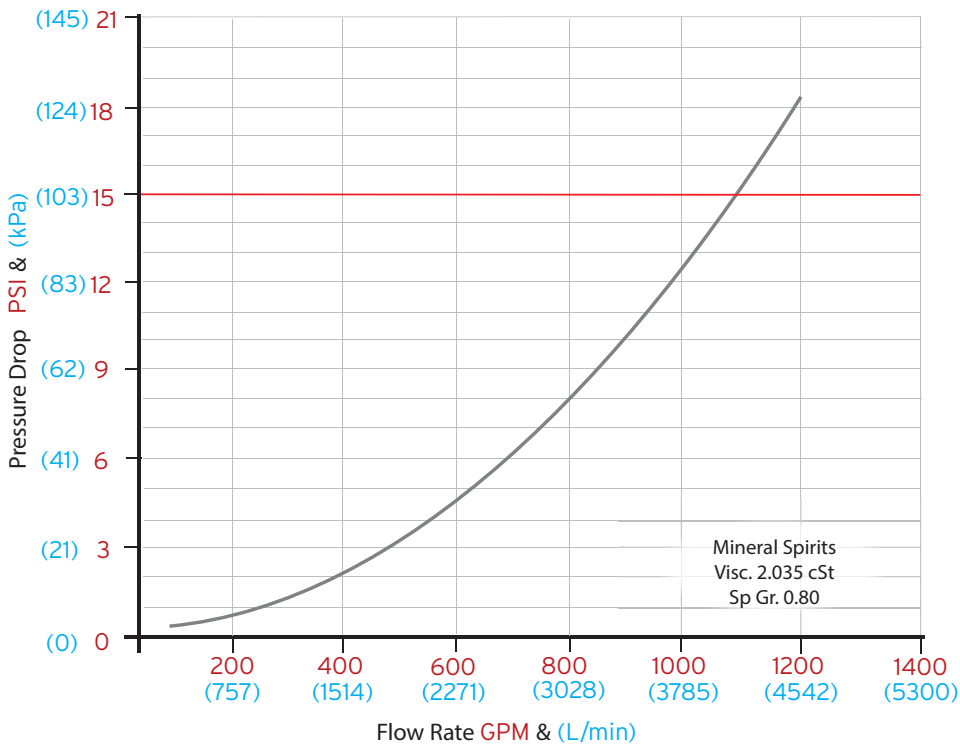
Model B27X (B3 Series)



Max Recommended Pressure Drop*

*NOTE: This is based upon process conditions

Models B28X & B29X (C4 & C6 Series)



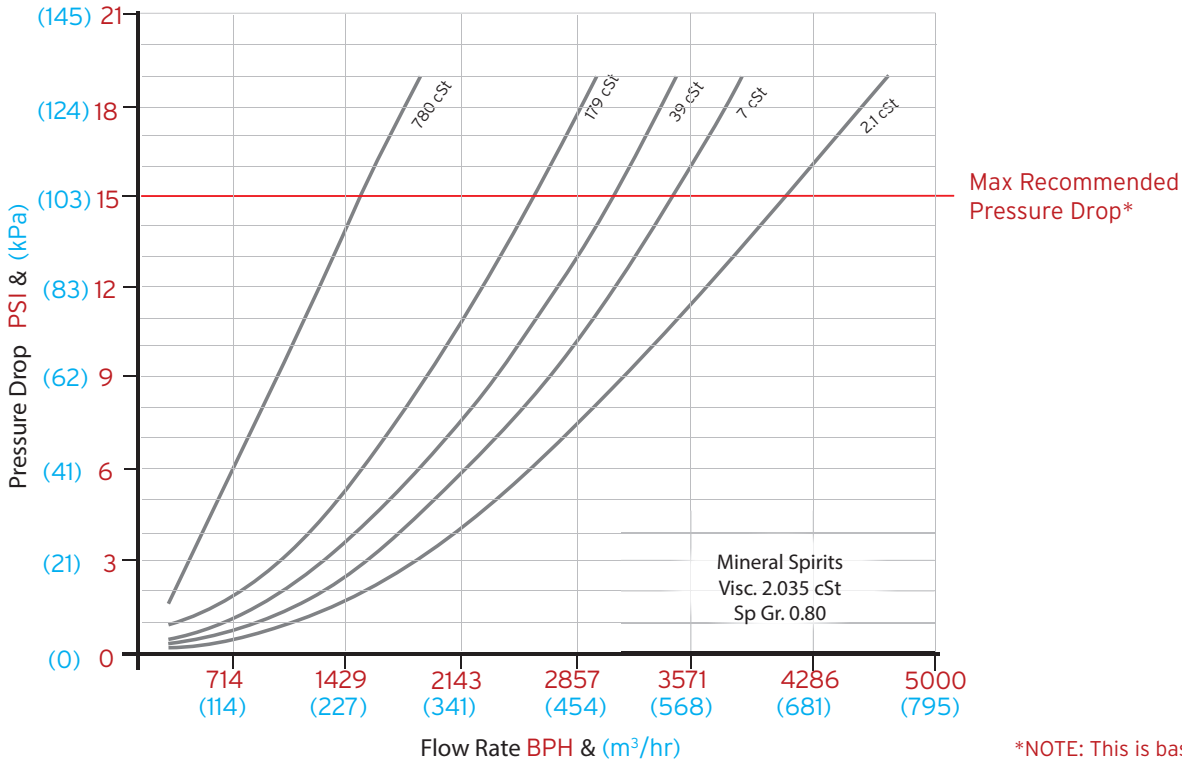
Max Recommended Pressure Drop*

To convert pressure drop value to the actual process fluid, use the following equation:

$$\Delta PA = (cPA)^{0.25} * (SGA)^{0.75} * \Delta Pm$$

ΔPA = Pressure Drop on Actual Fluid in PSI
 cPA = Viscosity of Actual Fluid in cP
 SGA = Density of Actual Fluid in SG
 ΔPm = Pressure Drop on Mineral Spirits
 Specific Gravity = 0.80
 Visc. = 2.035 cSt Mineral Spirits

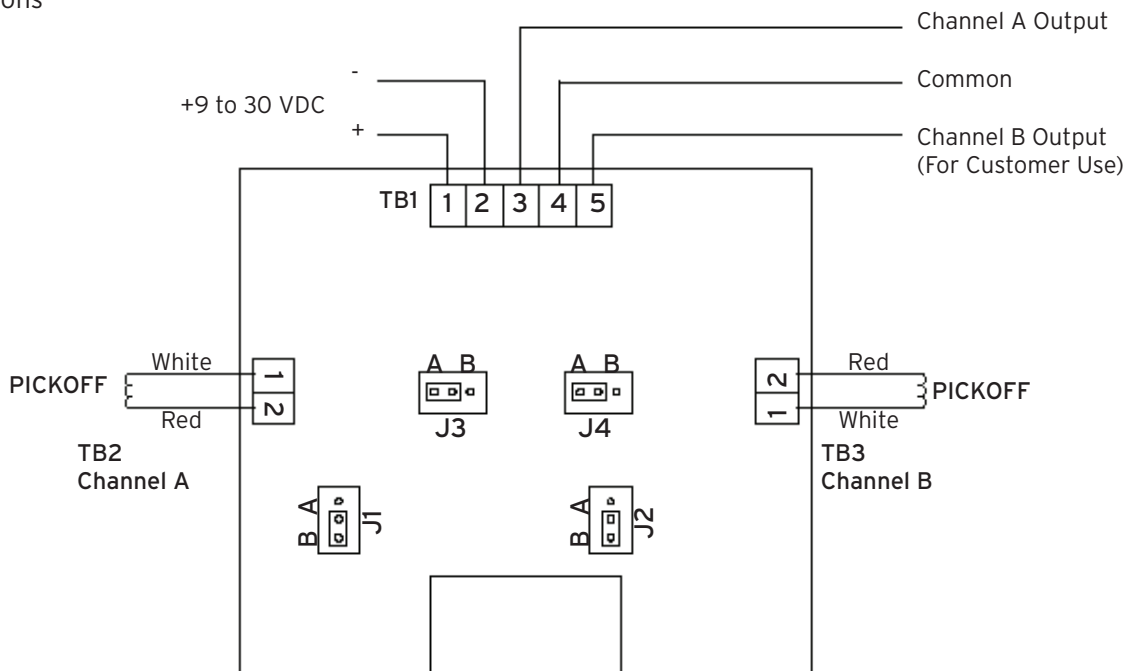
Models B30X, B31X, & B32X (D6, D8 & D10 Series)



Pre-amplifier

Supply voltage:	9 to 30 VDC	Variable voltage pulses:	0 to supply voltage less 5%
Outputs (jumper selectable):	square wave 0 to 5 KHz		70 mA max
5 V powered pulse:	0 - 5 VDC, 20 mA max		

Wiring Connections



Approvals

Environmental

- NEMA 4X
- Type 4X
- IP 65
- OIML R117-1 Class H3

Electromagnetic Emissions & Immunity

- CE European Union (EN 61326)
- OIML R117-1 Class E2
- MID Class E2
- FCC 47 CFR Part 15
- ICES-003 Issue 4

Weights and Measures

- NTEP (B27X, B28X, B29X)
- Measurement Canada (B27X, B28X, B29X)
- MID/OIML
- China (B27X & B28X)
- Australia NMI
- Malaysia NMIM (B27X, B28X, B29X)
- Singapore (B27X, B28X, B29X)
- India

Pressure Equipment

- Under the EU Pressure Equipment Directive 2014/68/EU
- Rated as SEP for ANSI 150# and PN 16 versions (For B27X & B28X)
- All other sizes & pressure ratings Rated as CAT 2
- Canadian Registration: All Provinces

Hazardous Area

- CSA (United States and Canada)
- Class 1, Division 1, Group C, and D Certificate: 2142875, 221162
- standard pick off: -4°F to 167°F, -20°C to 75°C
- high temp pickoff: 14°F to 230°F, -10°C to 110°C

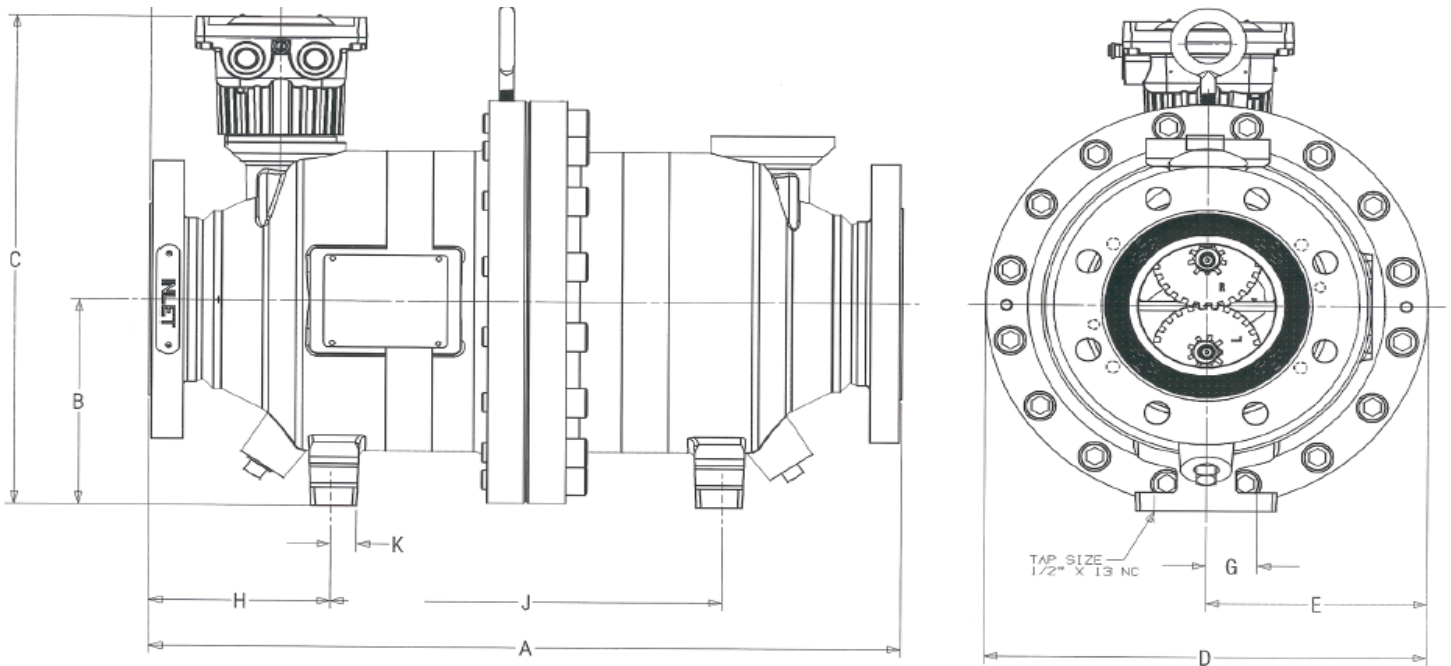
ATEX

- CE 0359 II 2 G Ex db IIB T6...T4 Certificate: ITS08ATEX 15842X
- standard pick-off: -20°F to 167°F, -29°C to 75°C
- high temp pickoff: -20°F to 230°F, -29°C to 110°C

IEC Ex

- Ex db IIB T6 - T4 Gb Certificate: IECEx ITS 08.0021X
- standard pick-off: -20°F to 167°F, -29°C to 75°C
- high temp pickoff: -20°F to 230°F, -29°C to 110°C

Dimensions



Standard BiRotor Plus Dimensions

Series	Model	Size	Unit	A	B	C	D	E	G	H	J
B3	B27XC	3" ANSI 150#	inch	18	6 1/16	14 13/16	11 1/2	5 3/4	1 3/8	4 3/16	9 5/8
			mm	457	154	376	292	146	35	107	244
		DN80 PN 16	inch	18	6 1/16	14 13/16	11 1/2	5 3/4	1 3/8	4 3/16	9 5/8
			mm	457	154	376	292	146	35	107	244
		3" ANSI 300#	inch	19	6 1/16	14 13/16	11 1/2	5 3/4	1 3/8	4 11/16	9 5/8
			mm	483	154	376	292	146	35	119	244
DN80 PN 40	inch	19	6 1/16	14 13/16	11 1/2	5 3/4	1 3/8	4 11/16	9 5/8		
	mm	483	154	376	292	146	35	119	244		
C4	B28XC	4" ANSI 150#	inch	22	6 5/8	16	13	6 1/2	1 1/2	5 1/4	11 1/2
			mm	559	168	406	330	165	38	133	292
		DN100 PN 16	inch	22	6 5/8	16	13	6 1/2	1 1/2	5 1/4	11 1/2
			mm	559	168	406	330	165	38	133	292
		4" ANSI 300#	inch	23 1/8	6 5/8	16	13	6 1/2	1 1/2	5 13/16	11 1/2
			mm	587	168	406	330	165	38	148	292
		DN100 PN 40	inch	23 1/8	6 5/8	16	13	6 1/2	1 1/2	5 13/16	11 1/2
			mm	587	168	406	330	165	38	148	292
		4" ANSI 600#	inch	27	10	21 1/8	20	10	N/A	N/A	N/A
			mm	685.8	254	536.6	508	254	N/A	N/A	N/A
C6	B29XC	6" ANSI 150# DN 150 PN 16	inch	24	6 5/8	16	13	6 1/2	1 1/2	6 1/4	11 1/2
			mm	610	168	406	330	165	38	150	292
		6" ANSI 300# DN 150 PN 40	inch	25	6 5/8	16	13	6 1/2	1 1/2	6 3/4	11 1/2
			mm	653	168	406	330	165	38	171	292

Dimensions Cont.

Series	Model	Size	Unit	A	B	C	D	E	G	H	J
D6	B30XC	6"ANSI 150#	inch	40	11 3/4	25 3/16	22 1/8	11 1/16	2 5/8	11 15/32	17 1/16
			mm	1016	298	640	562	281	67	291	433
		6"ANSI 300#	inch	42	11 3/4	25 3/16	22 1/8	11 1/16	2 5/8	12 15/32	17 1/16
			mm	1067	298	640	562	281	67	317	433
		6"ANSI 600#	inch	45	11 3/4	25 3/16	22 3/4	11 3/8	2 5/8	13 15/16	17 1/16
			mm	1143	298	640	578	289	67	354	433
D8	B31XC	8"ANSI 150#	inch	40	11 3/4	25 3/16	22 1/8	11 1/16	2 5/8	11 15/32	17 1/16
			mm	1016	298	640	562	281	67	291	433
		8"ANSI 300#	inch	42	11 3/4	25 3/16	22 1/8	11 1/16	2 5/8	12 15/32	17 1/16
			mm	1067	298	640	562	281	67	317	433
D10	B32XC	10"ANSI 150#	inch	40	11 3/4	25 3/16	22 1/8	11 1/16	2 5/8	11 15/32	17 1/16
			mm	1016	298	640	562	281	67	291	433
		10"ANSI 300#	inch	42	11 3/4	25 3/16	22 1/8	11 1/16	2 5/8	12 15/32	17 1/16
			mm	1067	298	640	562	281	67	317	433

Special 'B' Rev BiRotor Plus Dimensions (Available upon request)

Model	Size	Unit	A	B	C	D	E	G	H	J
B27XB	3" ANSI 150#	inch	16 3/4	6 1/6	14 13/16	11 1/2	5 3/4	1 3/8	3 9/16	9 5/8
		mm	425	154	376	292	146	35	90	244
	DN80 PN 16	inch	16 3/4	6 1/16	14 13/16	11 1/2	5 3/4	1 3/8	3 9/16	9 5/8
		mm	425	154	376	292	146	35	90	244
	3" ANSI 300#	inch	17 1/8	6 1/16	14 13/16	11 1/2	5 3/4	1 3/8	3 3/4	9 5/8
		mm	435	154	376	292	146	35	95	244
DN80 PN 40	inch	17 1/8	6 1/16	14 13/16	11 1/2	5 3/4	1 3/8	3 3/4	9 5/8	
	mm	435	154	376	292	146	35	95	244	
B28XB	4" ANSI 150#	inch	20	6 5/8	16	13	6 1/2	11/2	4 1/4	11 1/2
		mm	508	168	406	330	165	38	108	292
	DN100 PN 16	inch	20	6 5/8	16	13	6 1/2	11/2	4 1/4	11 1/2
		mm	508	168	406	330	165	38	108	292
	4" ANSI 300#	inch	20 5/8	6 5/8	16	13	6 1/2	11/2	4 9/16	11 1/2
		mm	524	168	406	330	165	38	116	292
	DN100 PN 40	inch	20 5/8	6 5/8	16	13	6 1/2	11/2	4 9/16	11 1/2
		mm	524	168	406	330	165	38	116	292

Materials Housing

Meter Housing:	ASTM A352 LCB or ASTM A 216 WCB ASTM A 516 GR 70
Connection Flanges:	ASTM A 105 Carbon Steel or ASTM A 350 LF2
Sensor Housing:	ASTM A 479 304 Stainless Steel

Materials Measuring Unit

End Plates and Body:	A 356 T6 Cast Aluminium
Rotors:	ALCO 319 Cast Aluminium Hard Coat anodized
Rotor Shafts:	17-4 PH Stainless Steel
Timing Gears:	17-4 PH Stainless Steel (Heat Treated)
Bearings:	Hybrid Ceramic
Elastomers:	Low Swell Nitrile, Viton®, or Fluorosilicon are standard
UMB Housing:	A356 T6 Cast Aluminium [non wetted component]

Unit weights

Series	Model	Size	Unit	Weight
B3	B 27 X	3" ANSI 150# DN80 PN16	lb	157
			kg	71
		3" ANSI 300# DN80 PN 40	lb	165
			kg	75
C4	B 28 X	4" ANSI 150# DN100 PN16	lb	212
			kg	96
		4" ANSI 300# DN100 PN40	lb	233
			kg	106
		4" ANSI 600#	lb	750
			kg	340
C6	B 29 X	6" ANSI 150# DN150 PN 16	lb	244
			kg	111
D8	B 30 X	6" ANSI 150#	lb	968
			kg	439
		6" ANSI 300#	lb	1006
			kg	456
		6" ANSI 600#	lb	1500
			kg	680
D6	B 31 X	8" ANSI 150#	lb	990
			kg	449
		8" ANSI 300#	lb	1046
			kg	474
D10	B 32 X	10" ANSI 150#	lb	1014
			kg	460
		10" ANSI 300#	lb	1088
			kg	494

NOTE:

Do not operate this instrument in excess of the specifications listed. Failure to heed this warning could result in serious injury and/or damage to the equipment.

Brodie International

P.O. Box 450 (30459-0450)
 19267 Highway 301 North
 Statesboro, GA 30461
 USA

Phone: +1 (912) 489-0200
 Fax: +1 (912) 489-0294